

ALUCOLUX[®]

PROCESSING AND TECHNICAL DATA

Simply original, originally simple



CONTENTS

TRANSPORTATION, STORAGE

4 General

PANEL DIMENSIONING

5 General

INFORMATION ON SPECIAL SURFACES

6 General

PANEL FIRE RESISTANCE CHARACTERISTIC

6 General

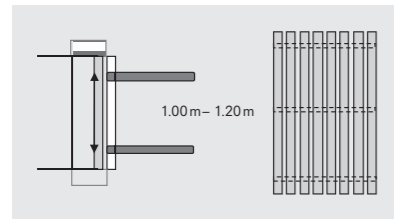
PROCESSING AT A GLANCE

8 Machines/Tools used for processing

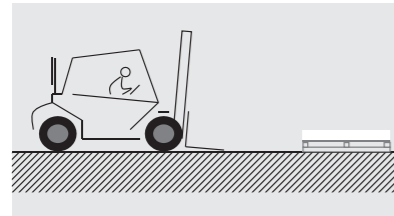
PROCESSING METHODS

- 11 Routing Process
- 11 Drilling & Cutting
- 12 Notching/Punching
- 13 Fixing Stiffeners
- 14 Bending
- 15 Perforation
- 15 Cleaning & Maintenance

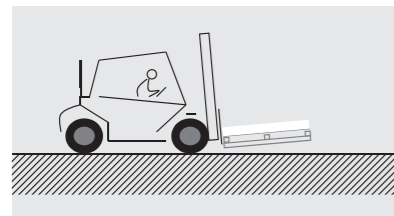
TRANSPORTATION, STORAGE



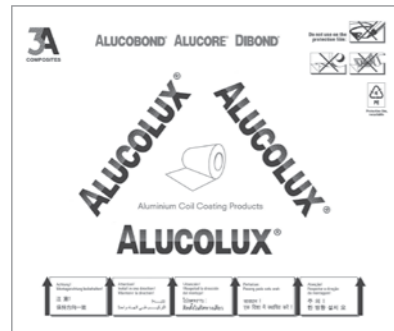
Set maximum fork width



Pick up the pallet, slightly raise the fork



Pick up the complete pallet, neither draw nor push



Protective film with direction arrows

GENERAL

To protect ALUCOLUX® pre-coated solid aluminium panels from mechanical damage and weather, please follow the instructions thoroughly:

- Handle the pallets with utmost care during transportation and loading.
- Upon delivery, examine the pallets for any damage due to transportation or moisture.
- Any panels that are exposed to moisture must be dried to avoid spots or corrosion. In case of damages please report it to the respective forwarding agent.
- Store the pallets away from moisture, rain or any other form of contact with water or liquids. Avoid condensation when moving the panels from colder to warmer rooms.
- Stack only three pallets of similar dimensions horizontally above one another with the heaviest at the bottom. Do not let the panels stand vertically.
- While lifting, do not slide the panels over each other to avoid scratches. The panels must be carried by two people securely holding all four corners with gloves to avoid staining.
- Do not put anything between two panels while stacking, to avoid markings.

To ensure optimum care from the protective film please follow the instructions thoroughly:

- Storing the panels for more than three months may render the protective film tough to remove. Exposure to direct sunlight or fluctuations in temperatures could reduce the durability of the film.
- Do not mark the protective film with inks (markers), tapes or labels. The solvent or plasticizer may penetrate the film and affect the lacquered surface.
- Partial peeling of the protective film may cause dirtying of the edges that could affect its bounding property.
- Remove the protective film not longer than 45 days after the assembly. Exposure to natural elements may make it difficult to remove later.
- Do not remove the protective film at temperatures under 0°C.

PANEL DIMENSIONING

WHEN DIMENSIONING THE ALUCOLUX® PANELS THE FOLLOWING SHOULD BE NOTED:

- Width max.= 1575mm
- Length max.= 6000mm
- Thickness: 2.0mm/2.5mm/3.0mm/4.0mm/5.0mm

Dimensional Tolerance

Items	Panel Size (mm)	Allowable Tolerance	
		Exterior	Interior
Thickness (mm)	/	± 0.15	
Length/Width (mm)	≤ 2000	± 2.0	- 1.5 ~ 0
	> 2000	± 2.5	- 2.0 ~ 0
Diagonal (mm)	≤ 2000	± 2.5	± 2.0
	> 2000	± 3.0	± 2.5
The dimensions of the opposite side (mm)	≤ 2000	≤ 2.5	≤ 1.5
	> 2000	≤ 3.0	≤ 2.5
Flatness (mm/m)		≤ 2.0	
Flanging height (mm)		≤ 1.0	
Folding Angle (°)		± 1.0	
Surface Defect	No irregularities such as roughness, buckling and other imperfections with specification of visual inspection rules		
	Thermal expansion 1.2mm/m/50°C		

INFORMATION ON SPECIAL SURFACES

There are two types of coatings on surface of ALUCOLUX® panels – PVDF and FEVE.

Surface Properties

Dry Film Property	Test method	Criteria
Colour Retention	ASTM D2244-93	Max 5 units after 4000 hrs (exposed skin)
Gloss Retention	ASTM D523-89	70% after 4000 hrs. (exposed skin)
Chalking	ASTM D414-89	Max 8 units after 4000 hrs (exposed skin)
Salt Spray	ASTM D-B117-90 NCCA 11-2	Blisters-10 (exposed skin) Scribe-8 3000 hrs.-aluminium, 35°C
Humidity-Thermal	ASTM D2246-65	No blister (exposed skin) No cracking 10 cycles : 24 hrs X 100%RH. 37.8°C: 2 hrs X 18°C: 4 hrs. X 24°C
Humidity	ASTM D2247-94	No change (exposed skin) 3000 hrs.-aluminium, 35°C
Condensing Humidity (Cleveland)	ASTM D4585-87	None to very few #8 blisters (exposed skin)100% RH X 54.4°C, 2500 hrs
Pencil Hardness	ASTM D3363-92a	2H (exposed skin)
Adhesion	ASTM D3359	-
Dry Wet Boiling Water	Method 8	No change (exposed skin) No change after 37.8°C, 24 hrs. No change after 100°C, 20 min
Impact Resistance	NCCA 11-5	No picking off after reverse impact cross-hatch test (panel)
Abrasion Resistance	ASTM D 968-93	Resisting 20 liters of falling sand. 20 liters is the criterion of AAMA; 70 liters/mil as the actual value

PANEL FIRE RESISTANCE CHARACTERISTIC

ALUCOLUX® is a coil coated solid aluminium panel with A1-s0, d0 classification as per EN 13501-1 test standard.

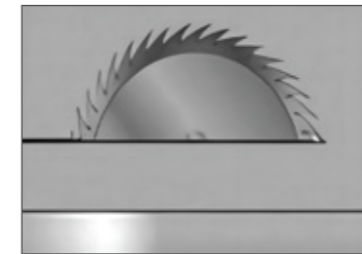
To maintain high product quality, ALUCOLUX® gets continuous industrial-grade PVDF/FEVE coating. This process renders it non-combustible in compliance with the A1 classification.

Ignitibility	Index 0	Class "A"
Heat Evolved	Index 0	Class "A"
Flame Spread	Index 0	Class "A"

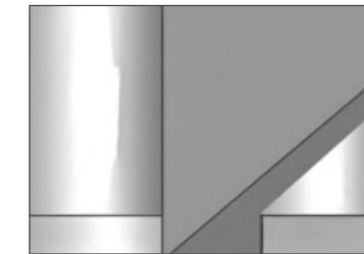
PROCESSING AT A GLANCE

Below are the general guidelines on processing – ALUCOLUX® Pre Coil-Coated Solid Aluminum Alloy Panels

ALUCOLUX® Processing guidelines at a glance:



Sawing



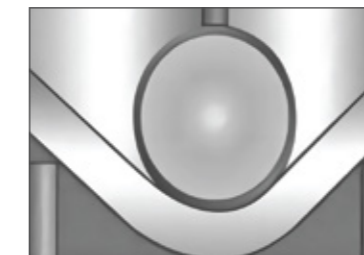
Cutting



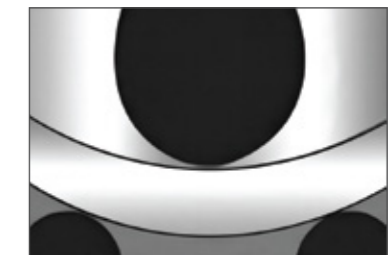
Routing



Routing & Folding



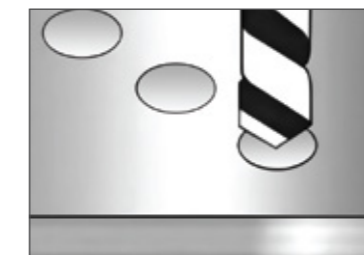
Pressing



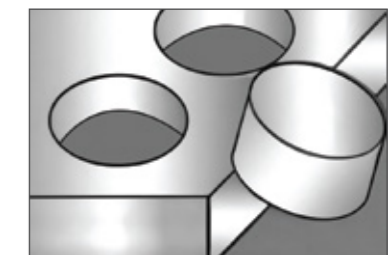
Rolling



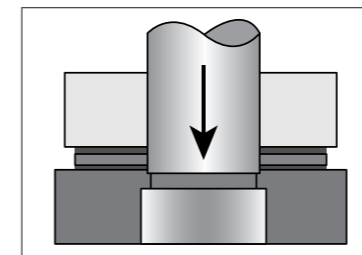
CNC Routing



Drilling



Perforation



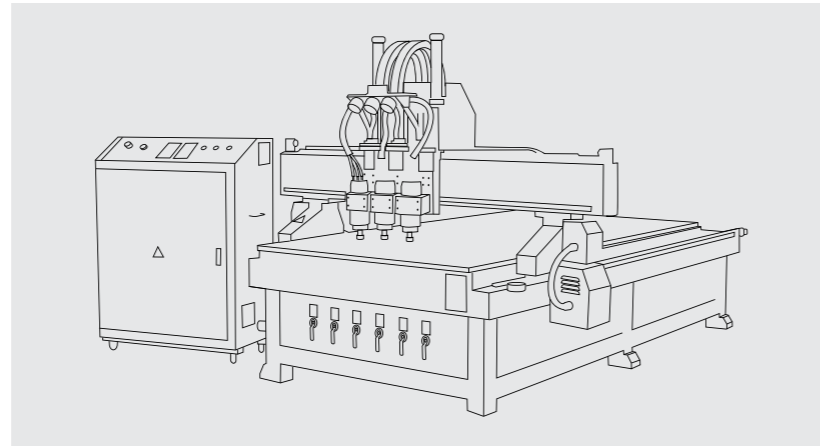
Punching and Notching

Machines/Tools used for processing

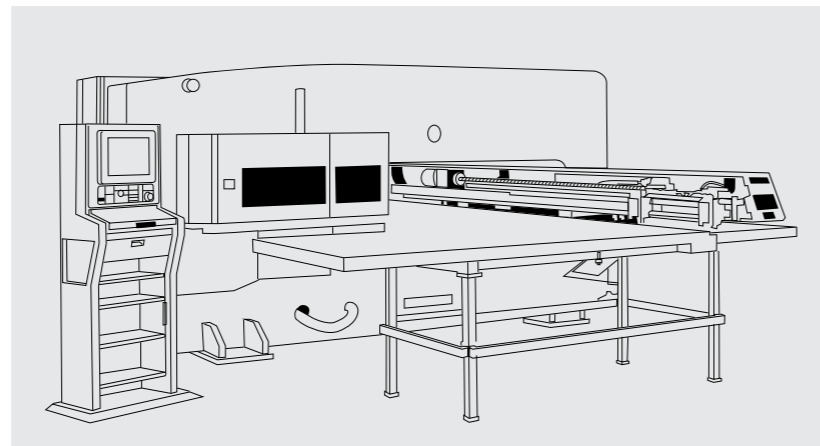
To cut ALUCOLUX® sheets to required size the following machinery is recommended:



Plate Shearing Machine



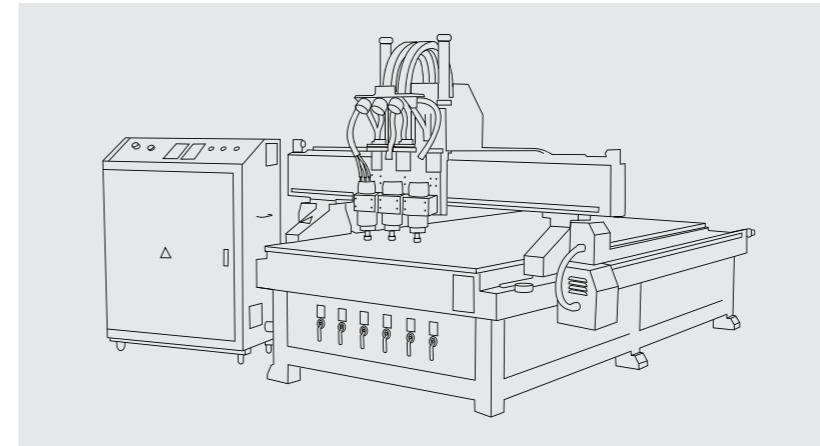
Computer Numerical Control Router (CNC)



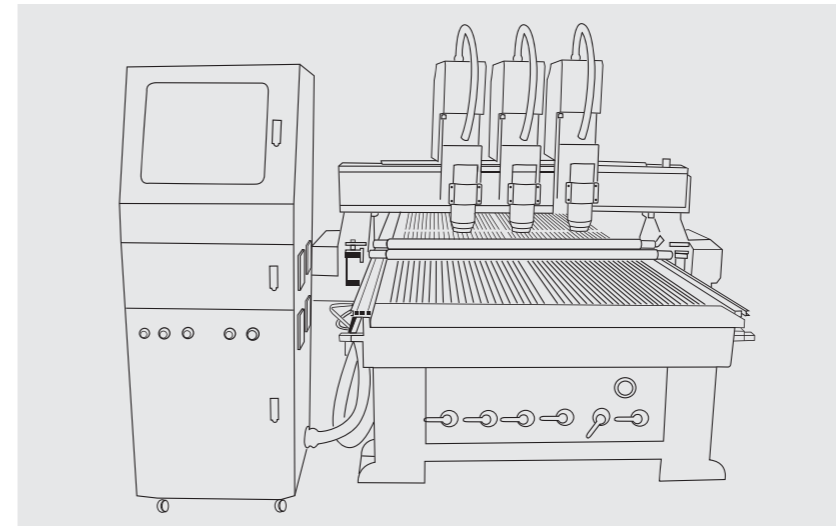
Numerical Control Turret Punch Press (NCT)

Machines/Tools used for processing

CNC is usually used for routing, grooving, drilling and cutting ALUCOLUX®.



3-Axis Simultaneous-Motioned Numerical Control Carving Machine (CNC Router) with vacuum absorption worktable (as above).
Or Simultaneous-Motioned double roller compaction worktable (as below).



The 3-Axis Simultaneous-Motioned CNC has three blade holders and can change blades automatically during processing. Different blades perform separate processes, thus improving the efficiency of batch fabrication.

Machines/Tools used for processing



Parameters of CNC Router

CNC Type:	3-Axis Simultaneous-Motioned CNC Router
Worktable Type:	Vacuum absorption/Double roller compaction
Worktable Size (mm):	2000mm (W) * 6000mm (L)
Max. Processing Size (mm):	1900mm (W) * 6000mm (L) * 50mm (H)
Max. Feeding Speed (m/min):	8 m/min.
Max. Bit Rotating Speed (rpm):	25000 rpm.
Machine Precision (mm):	0.05 mm
Spindle Tools:	Φ 6 Routing/Drilling Bits recommended
Type of Spindle Tools:	Tungsten Steel/Alloy Steel/Diamond Bit

Advantage

- Heavy-duty machine structure guarantees solidity and the absence of vibrations resulting in high-precision processing.
- High-power air-cooling spindle with programmable rotation speed up to 25000 rpm.
- The closed-loop control of position, speed and torque improves precision.
- The use of an emulsifier reduces the heat and noise significantly while protecting the equipment and the product.
- Z-axis is provided with a brake system to avoid damage to the working table and the product if the spindle falls off suddenly.
- Three blade holders are mounted on the portal frame of the working table to enable most complex multi-tool tasks effectively and automatically.

Remark

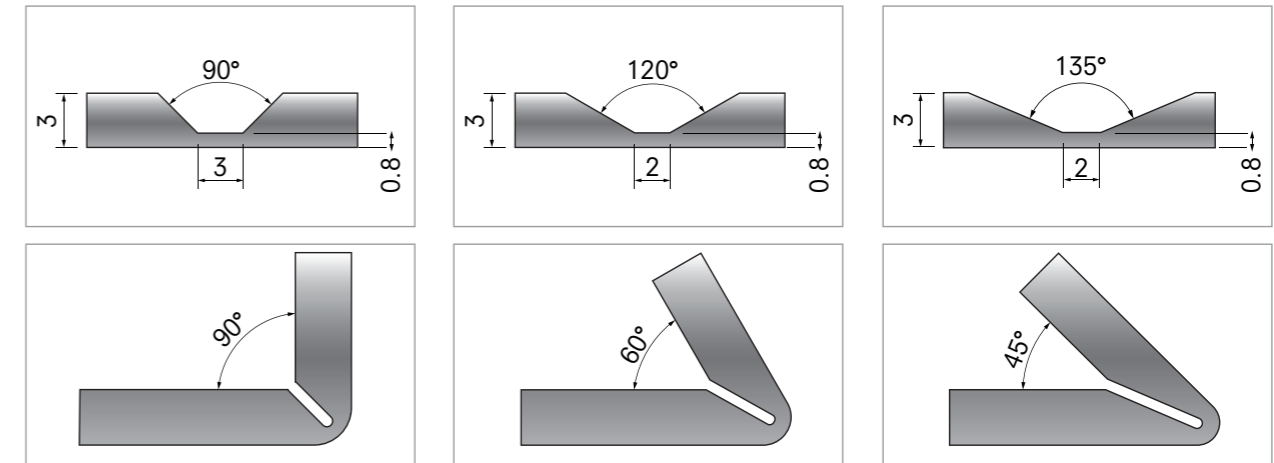
- There are no mandatory provisions in relevant standards on routing depth back of solid aluminium panels. They mainly depend on practical application and processing experience as below:
- The recommended routing depth for 3mm ALUCOLUX® panel
 - For PVDF coating: Not over 2mm.
 - For FEVE coating: Not over 2.5mm.
- The recommended routing depth for special pre-coatings such as the anodized surface treatment needs to be confirmed by testing.

PROCESSING METHODS

Routing Process

Purpose: The V-Groove are routed on the rear of the ALUCOLUX® sheet to form a tray panel.

Tool: V-Shaped Milling Cutter -- 90°/120°/135° bits



- Clean the platform to protect the surface of ALUCOLUX®.
- Place the ALUCOLUX® panel on the platform and position the starting point for routing. The CNC will process it according to the prepared routing path/diagram converted from the tray panel fabrication drawings.

Drilling and Cutting

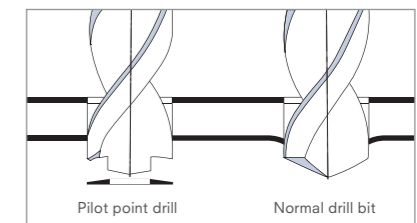
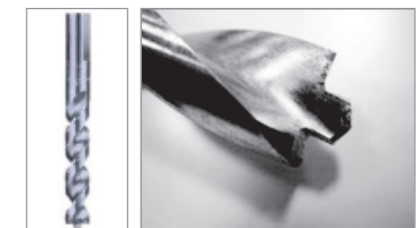
Purpose: Drilling holes and cutting.

Tool: Drill Bit - To drill into the ALUCOLUX® panels the use of an Extreme 2TM HSS-G metal drill bit is recommended.

The V-Shape Milling Cutter gets replaced with a drilling bit automatically on completion of the routing process.

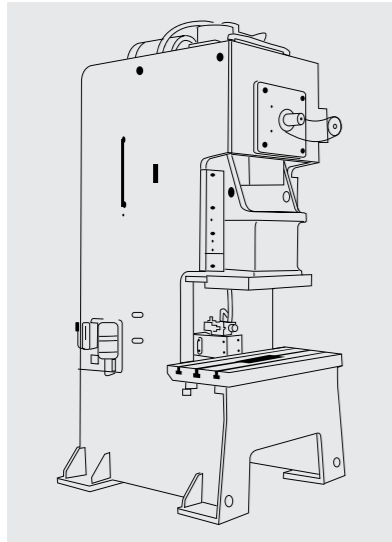
- Φ4.2 mm staggered holes are drilled for fixing angle brackets.
- Machine cuts along the perimeter to form an M2M (Made to Measure) ALUCOLUX® panel.
- Clean the panel and platform with a low-pressure air blower.

Use emulsifiers to reduce heat & noise and to protect the equipment and the product.



Notching/ Punching

ALUCOLUX® panel can be notched/punched using conventional sheet metal punching machines. For clean cuts use sharp tools and die with a minimum cutting clearance of 0.1mm.

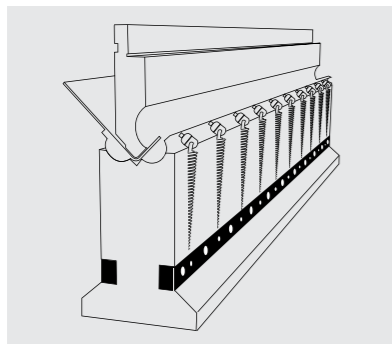


Folding: To form tray panels or other shapes, use a hydraulic folding machine of radius 3mm-5mm.

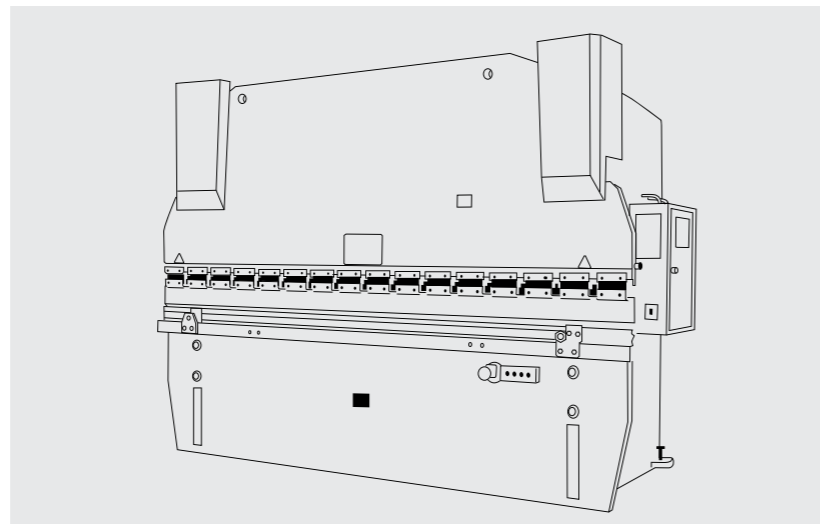
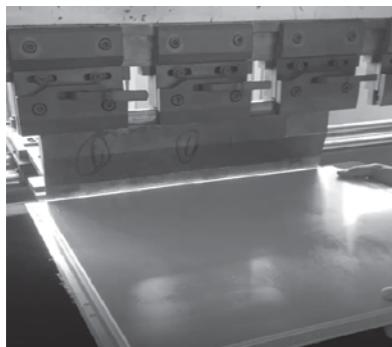
Before starting the fabrication process make sure the temperature of ALUCOLUX® is between 30°C to 40°C.

This could be done by using electric blankets, heating films or by pouring warm water onto the panel or dipping it in the warm water bath.

- Install a plunger chip and a press die according to the length of the edges to be folded.
- Add cushioning on the press die to prevent the edges from getting damaged.
- Fold the edges along the routed/grooved lines using a break press or edge folding machine.
- Measure the folded angles with a right-angle gauge.



90° Blade Plunger Chip & Press Die



Hydraulic Folding Machine

Fixing Stiffeners

Purpose: To weld stiffener rib to fix brackets.

Tool: Grinder, Arc stud welding gun, Riveting gun, Socket spanner

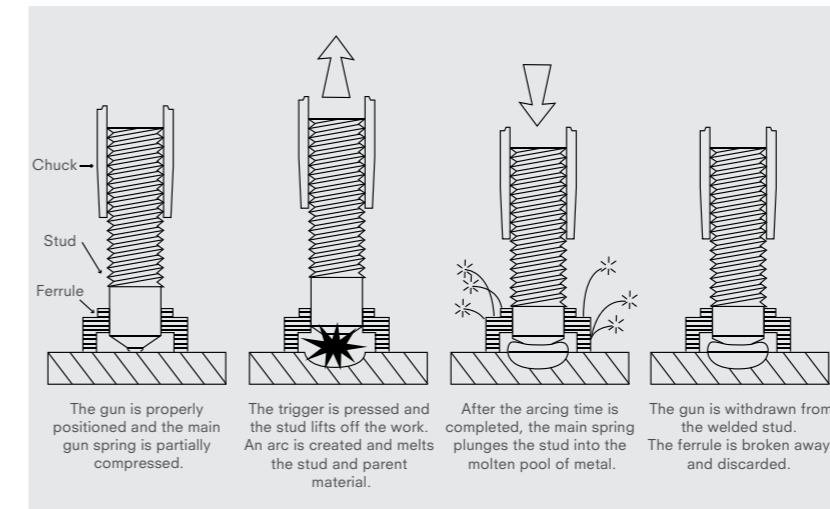
Stiffeners should be fixed to the back of the panel based on the size of each panel and wind load calculations of the project site.

The distance between stiffeners should not be more than 600mm.

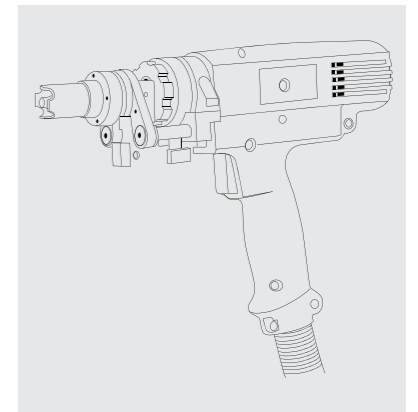
The stiffeners can be stud-welded or stuck using VHB tapes at the back of the panel.

If in case it is stud-welded, then it should be done using the right stud-welding tool.

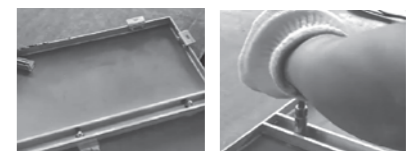
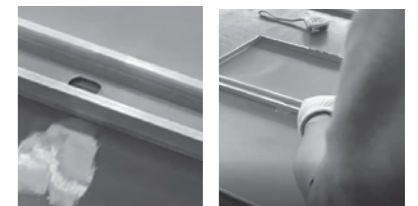
Recommended depth of the welding: Between 1.5mm-2.3mm on a 3mm ALUCOLUX® panel.



- Normally, the backside of the ALUCOLUX® sheet has a protective primer coat. Therefore, use the grinder to clean or polish the spots that need welding on the rear of the ALUCOLUX® tray panel.
- Position the stiffener rib and keep a 2mm gap between the folded edges.
- Weld the aluminium screw stud in the centre of the slot hole on the stiffener with the arc stud welding gun.
- Tighten the nuts.
- Remove the protective film from the folded edges before fixing the brackets.
- Rivet the fixing brackets to folded edges of the ALUCOLUX® tray panel with a pneumatic rivet gun.

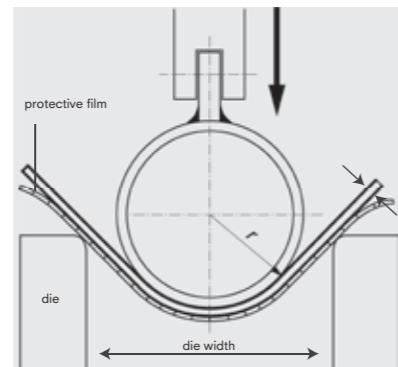
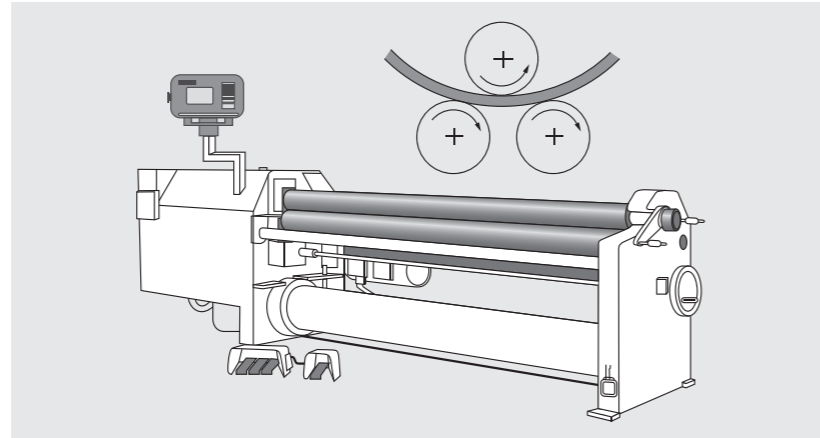


Arc stud welding gun

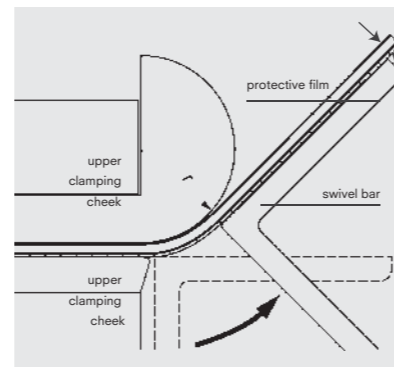


Bending

- Bending of ALUCOLUX® can be done by using a roll bending machine.
- This can be done using three or four-roll machines.
- The panel to be bent is clamped between two cheeks.
- The projecting edge is bent around the upper clamping cheek or former using the movable swivel bar.
- The bending radius is determined by interchangeable formers attached to the upper clamping cheek.
- Minimum bending radius: $r=400\text{mm}$



Bending with a brake press

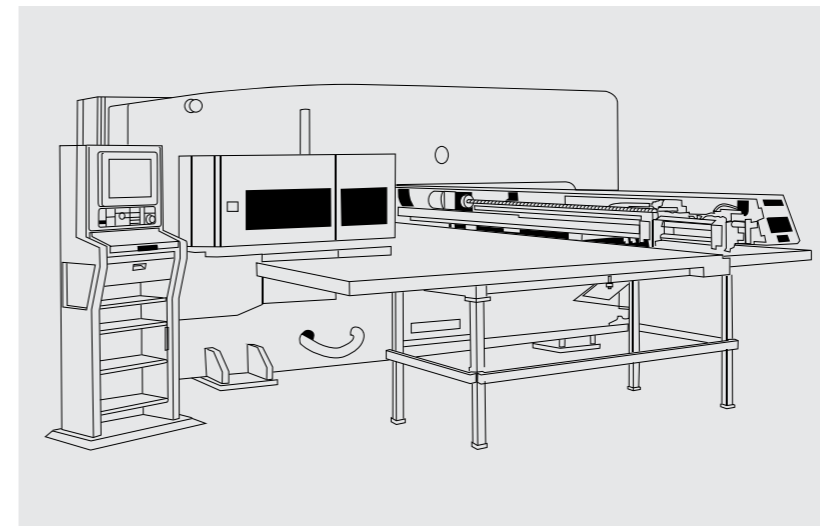


Bending with a folding machine

Perforation

Perforation can be done using CNC or NCT machines in various designs and patterns as required.

- Holes of a minimum 3mm diameter can be punched.
- Minimum gap between the holes (measured from edges) should be greater than the thickness of the panel.
- When using the NCT machine for perforation, spray the emulsifier on the panel surface in advance to protect the equipment, punch tools and the surface coat.



Cleaning and maintenance

Annual cleaning is recommended. The surfaces should be cleaned either manually using a soft brush or using a high-pressure cleaner (max. 50 bar) with clean water. If necessary, a mild cleaning agent (pH 6-7) may be added, up to a maximum of 10%. Cleaning should take place from top to bottom. After cleaning, rinse with water to remove any residue that could be left behind by a cleaning agent. Do not clean surfaces heated by the sun (>40°C). Do not use highly alkaline cleaning agents such as potassium hydroxide, sodium carbonate or caustic soda, any strong acid products or highly abrasive cleaning agents such as household cleaning products that could corrode the paint.



3A Composites Asia Pacific Pte. Ltd.

300 Beach Road
#10-06 The Concourse
Singapore 199555
☎ (65) 6303 9750
✉ sales@alucobond.com.sg
🌐 www.alucobond.com.sg

3A Composites India Pvt. Ltd.

39th Floor, Commerz III,
International Business Park,
Oberoi Garden City,
Off Western Express Highway,
Goregaon (East), Mumbai - 400 063
☎ (91) 22 4256 4500
✉ alucobond.india@3acomposites.com
🌐 www.alucobond.in

3A Composites USA

721 Jetton Street, Suite 325
Davidson, NC 28036
United States of America
☎ (1) 800 626 3365
✉ info.usa@3acomposites.com
🌐 www.alucobondusa.com

3A Composites Middle East (Branch)

Almas Tower, JLT
P.O. Box: 343522
Dubai, UAE
☎ (97) 1 58 535 1721
✉ basel.massis@3acomposites.com
🌐 www.alucobond.com

3A Composites Gmbh

Alusingenplatz 1
78224 Singen
Germany
☎ (49) 7731 941 2060
✉ info@alucobond.com
🌐 www.alucobond.com

Alucobond Composites (Jiangsu) Ltd.

10 South Hehuan Road
Zhonglou District
Changzhou, China - 213023
☎ (86) 519 8166 5766
✉ alucobond.china@3acomposites.com
🌐 www.alucobond.com.cn